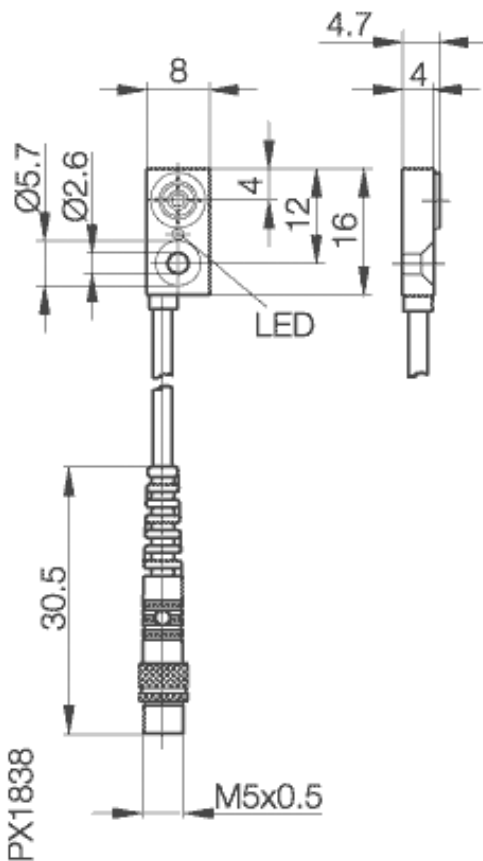


Inductive Sensors
BES R04KC-NOC15B-S26-00,2
8 x 16 x 4
normally-closed
Sn=1,5mm
shielded



Common Data

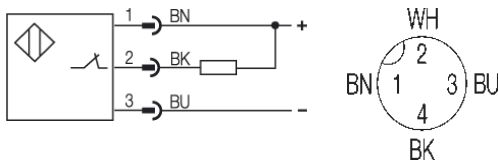
| | |
|--------------------------------|-------------|
| Mounting in steel | shielded |
| Rated operating distance Sn | 1,5mm |
| Assured operating distance Sa | 0...1.2mm |
| Repeatability R | 1% |
| Hysteresis | ≤ 15% |
| Function indication | yes |
| Ambient temperature range | -25...+70°C |
| Polution Degree | 3 |
| Time delay before availability | ≤ 10ms |

Mechanical Data

| | |
|---|----------------------|
| Measurements BxHxT or DxT | 8 x 16 x 4mm |
| Housing material | PA6-GF30 |
| Material of sensing face | PA6-GF30 |
| Degree of protection | IP67IP |
| Connection | Cable with Connector |
| Shock: Halfsinus, 30 gn, 11ms | |
| Vibration: 55 Hz, 1mm Amplitude, 3 x 30 Minutes | |

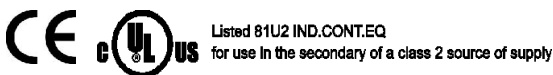
Electrical Data

| | |
|-------------------------------------|-----------------|
| Current type | DC |
| Wiring | 3-Wire |
| switching function | normally-closed |
| Output signal | NPN |
| Rated operational voltage | 24 DCV |
| Rated operational current | 100mA |
| Supply voltage | 5...30 DCV |
| Ripple | ≤ 10% |
| max. switching frequency | 600Hz |
| Minimum operational current | 0mA |
| No-load supply current | ≤ 10mA |
| Off-state current | 50µA |
| Voltage drop | 1,5V |
| Short circuit protection | yes |
| Protected against polarity reversal | no |



Remarks

Mounting Instructions 825345



Utilization categories
 Insulation class

DC 12

Datasheet number:

Definitions see general catalog.
 If not otherwise noted, ratings according to
 IEC 60947-5-2 (DIN EN60947-5-2)

Balluff GmbH
 Schurwaldstrasse 9
 73765 Neuhausen a.d.F.
 Phone (07158) 173-0 Fax (07158) 5010

Datenblatt by CD-ROM - 04/2007

BALLUFF
 sensors worldwide